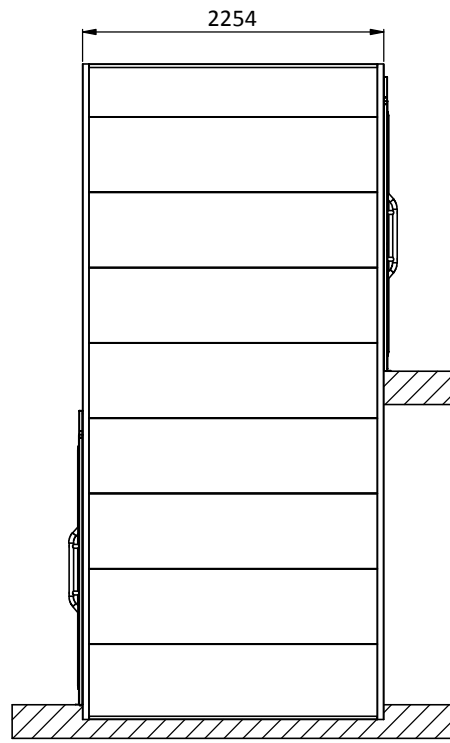
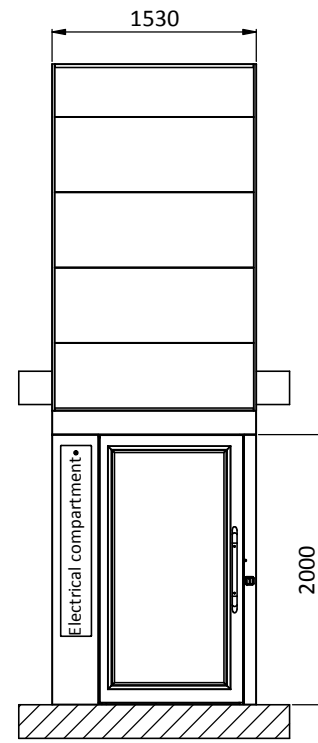


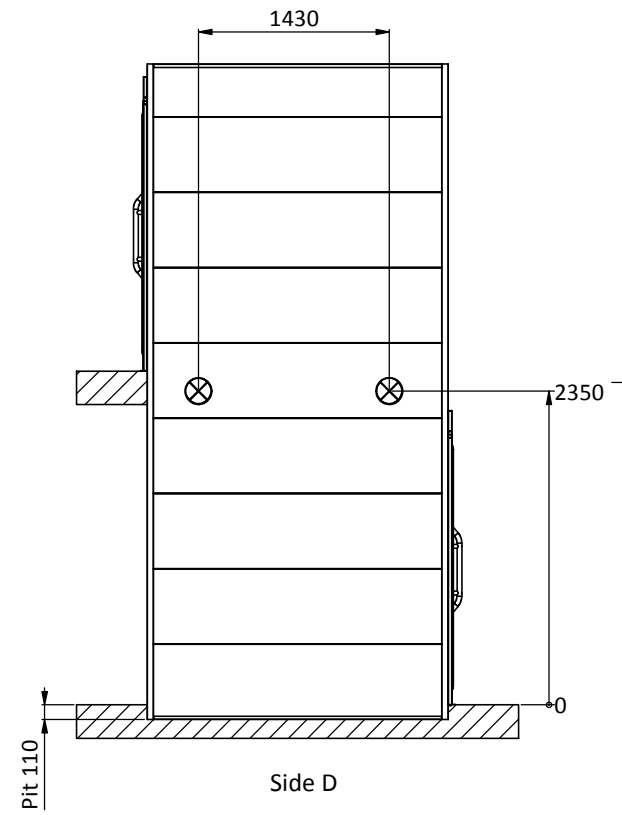
Side C




Side B



Side A

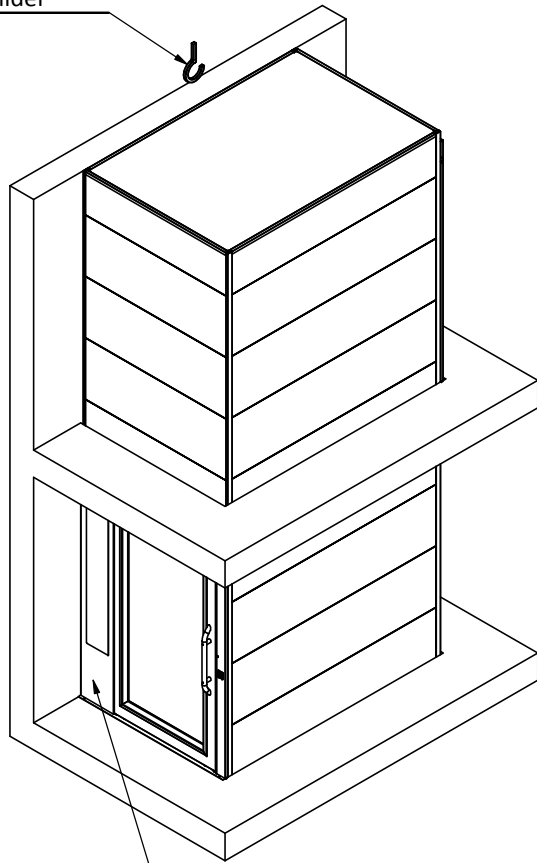


Side D

		Product	Drawn	Checked	Date	Customer
		ILS 1K	TS	JH	2014-07-03	
Title						
Principal Drawing 2 stops - A/C-side						
Innovation Lift Scandinavia AB					Document Number	-Revision
Kranvägen 6					Principal 6	-00
693 33 Degerfors						

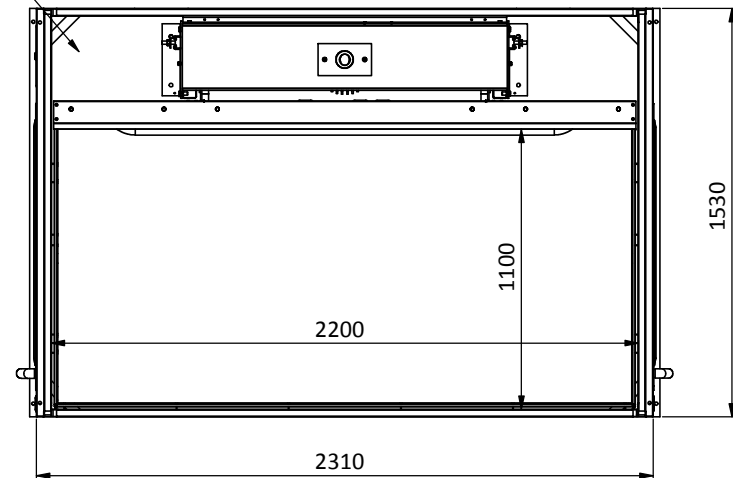
400 V, 3-phase, 16A slow,
Cable Area min 2,5 mm²

Hook in the building ceiling
for 500 kg, by builder

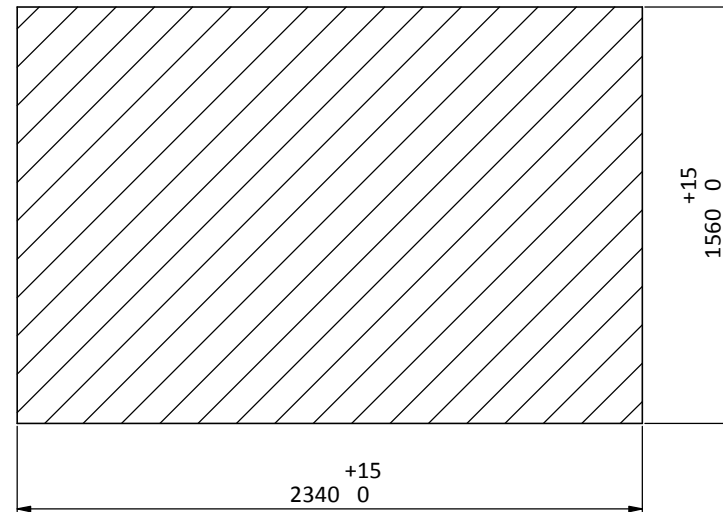


400 V, 3-phase, 16A slow,
Cable Area min 2,5 mm²

Overall dimensions



Cut out sizes



 Innovation Lift SCANDINAVIA AB	Product	Drawn	Checked	Date	Customer
	ILS 1K	TS	JH	2014-07-03	
Principal Drawing 2 stops - A/C-side					
Innovation Lift Scandinavia AB Kranvägen 6 693 33 Degerfors					Document Number Principal 6
					-Revision -00