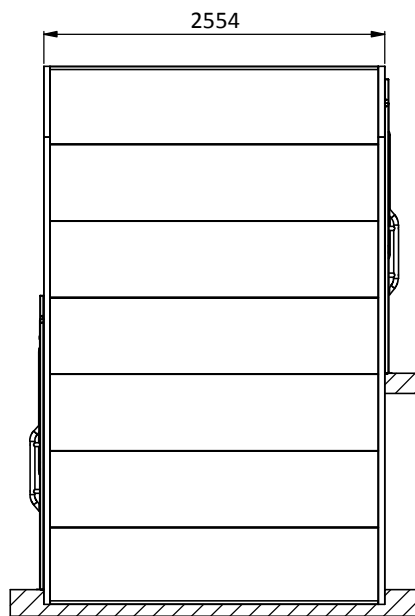
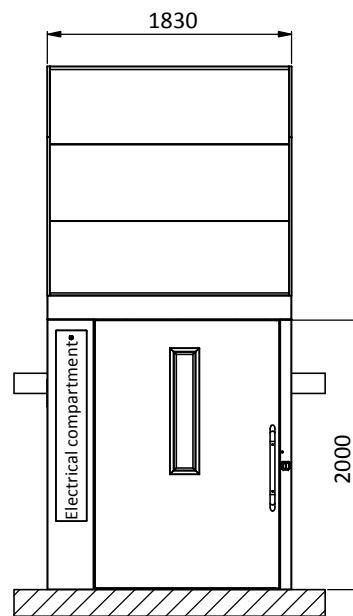


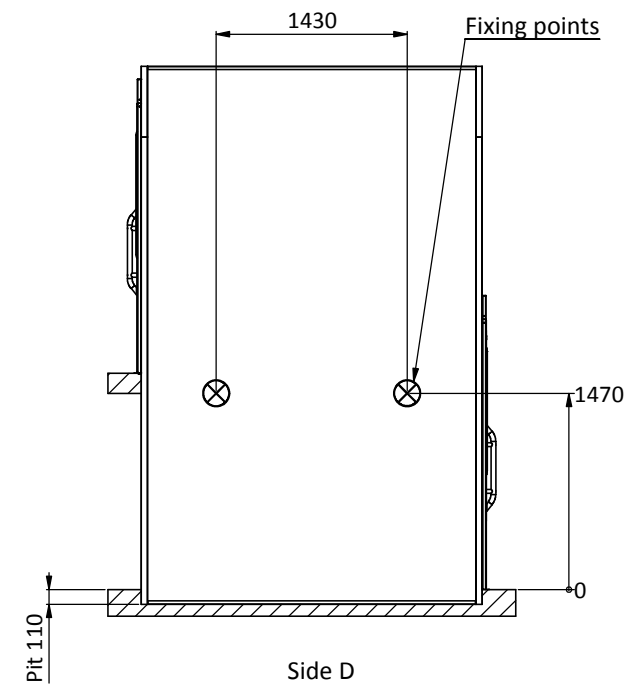
Side C




Side B



Side A

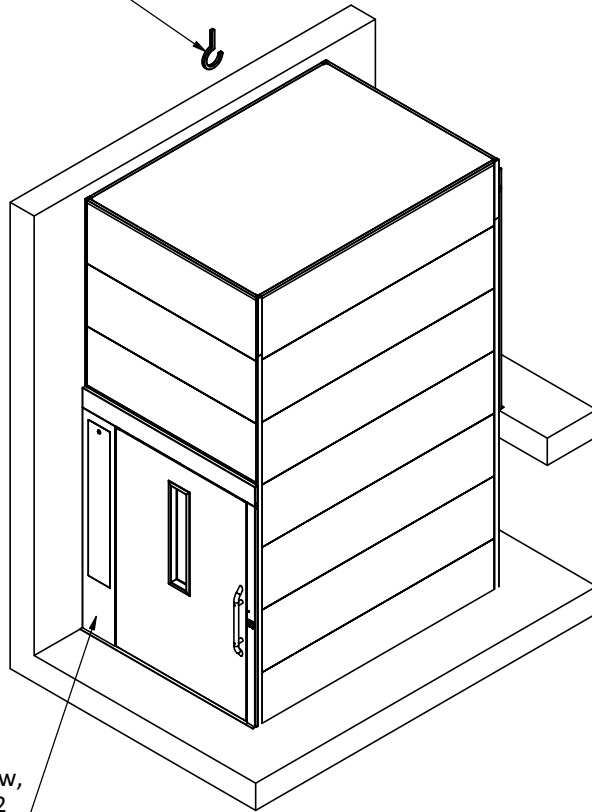


Side D

 Innovation Lift SCANDINAVIA AB	Product	Drawn	Checked	Date	Customer
	ILS 1K	TS	JH	2014-04-11	
Title Principal drawing 2 stop 1400x2500					
Innovation Lift Scandinavia AB Kranvägen 6 693 33 Degerfors					Document Number Principal 5
					-Revision -00

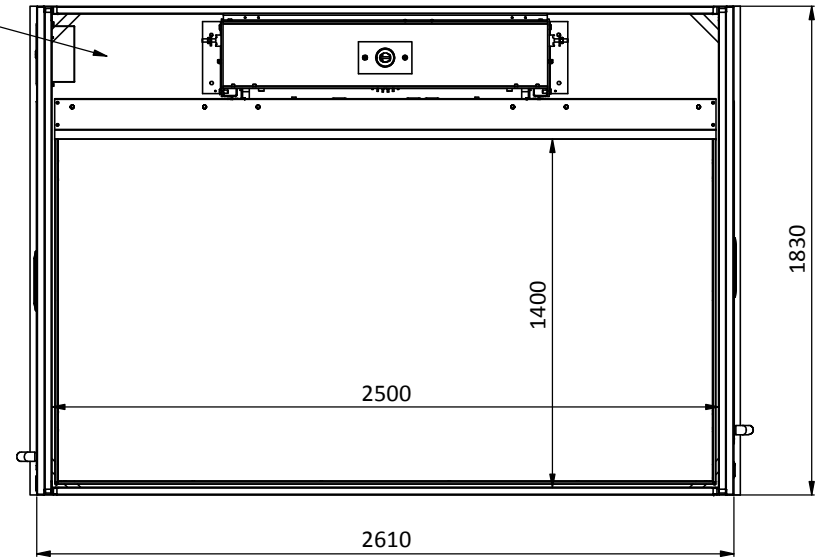
400 V, 3-phase, 16A slow,
Cable Area min 2,5 mm²

Hook in the building ceiling
for 500 kg, by builder

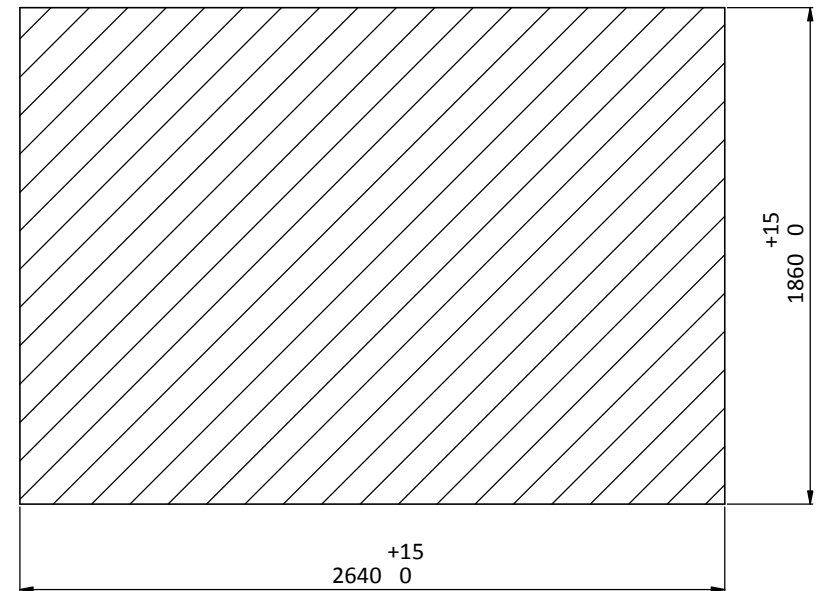


400 V, 3-phase, 16A slow,
Cable Area min 2,5 mm²

Overall dimensions



Cut out sizes



Product	Drawn	Checked	Date	Customer
ILS 1K	TS	JH	2014-04-11	
Title Principal drawing 2 stop 1400x2500				
Innovation Lift Scandinavia AB Kranvägen 6 693 33 Degerfors			Document Number	Principal 5
				-Revision -00