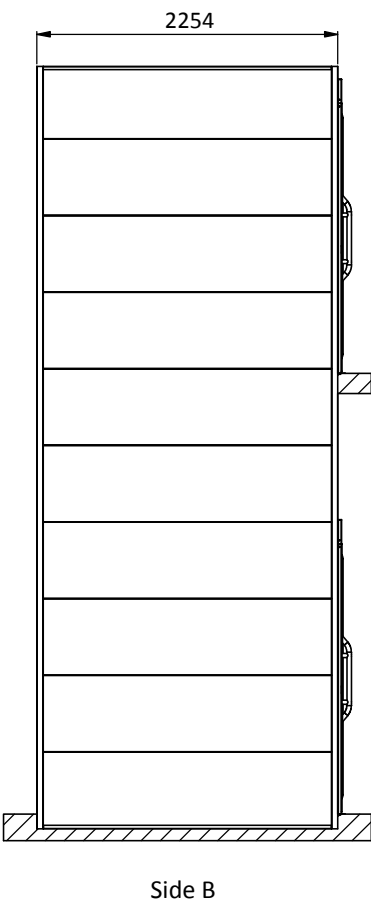
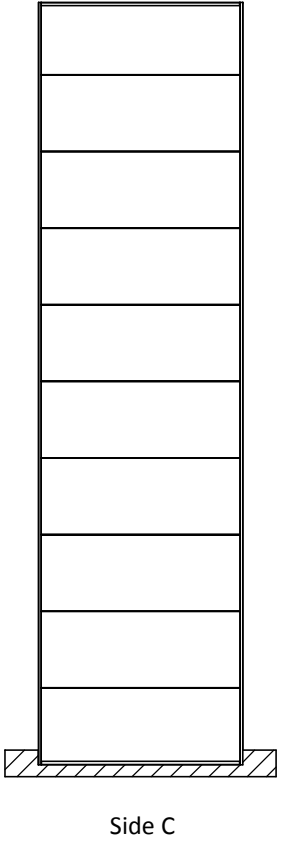


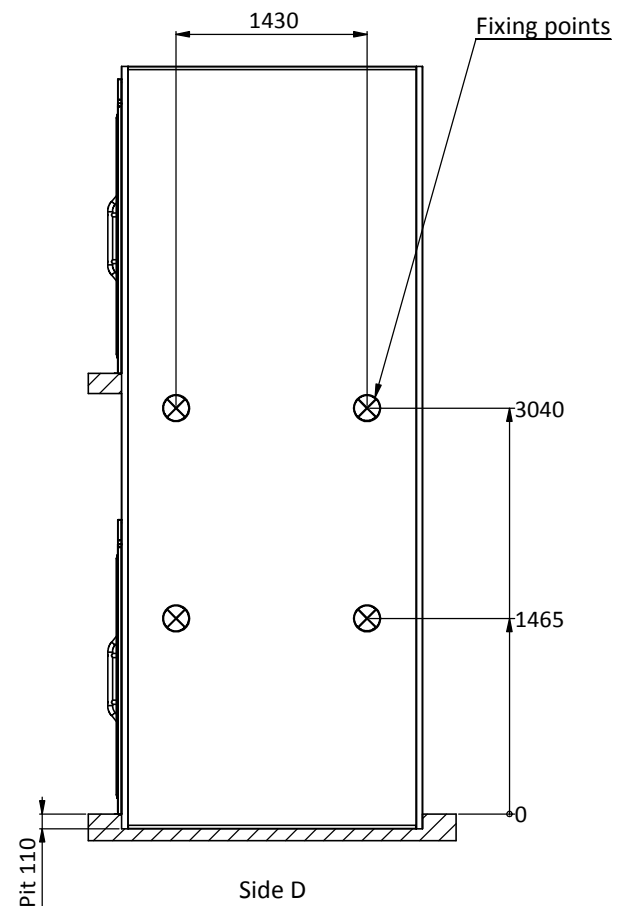
Side A



Side B




Side C



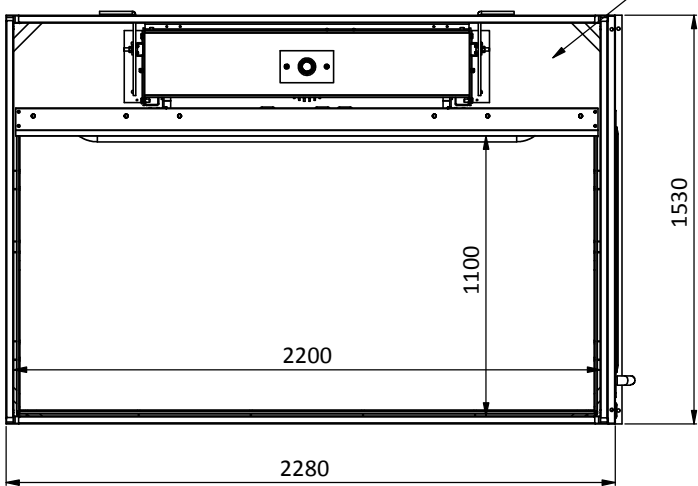
Side D

Fixing points

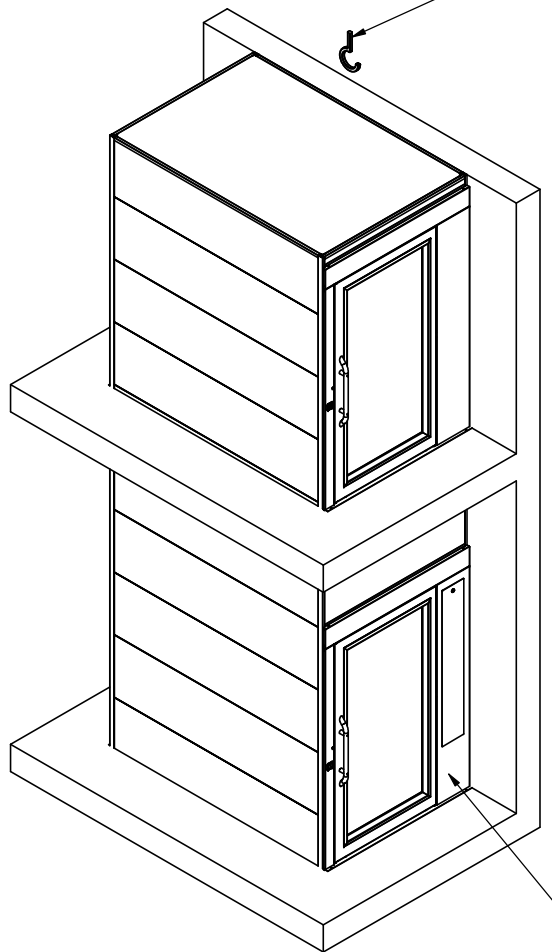
 Innovation Lift SCANDINAVIA AB	Product	Drawn	Checked	Date	Customer
	ILS 1K	TS	JH	2014-05-12	
Title Principal drawing 2 stop 1100x2200					
Innovation Lift Scandinavia AB Kranvägen 6 693 33 Degerfors					Document Number Principal 4
					-Revision -00

400 V, 3-phase, 16A slow,
Cable Area min 2,5 mm²

Overall dimensions

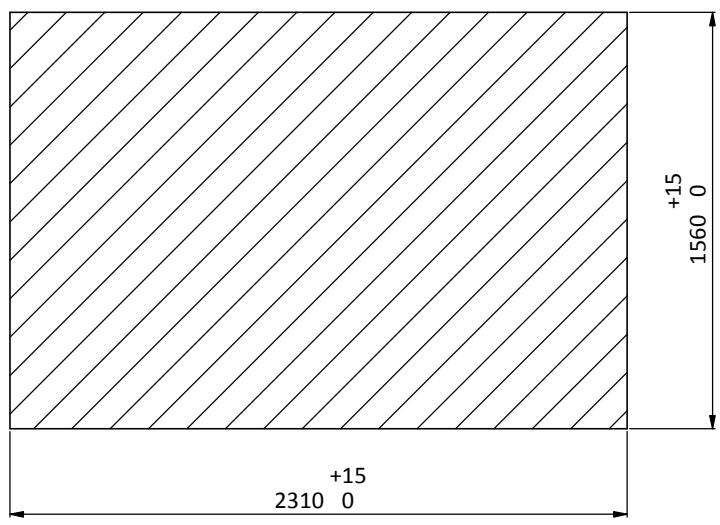



Hook in the building ceiling
for 500 kg, by builder



400 V, 3-phase, 16A slow,
Cable Area min 2,5 mm²

Cut out sizes



 Innovation Lift SCANDINAVIA AB Kranvägen 6 693 33 Degerfors	Product	Drawn	Checked	Date	Customer
	ILS 1K	TS	JH	2014-05-12	
	Title Principal drawing 2 stop 1100x2200				
Innovation Lift Scandinavia AB Kranvägen 6 693 33 Degerfors					Document Number Principal 4
					-Revision -00