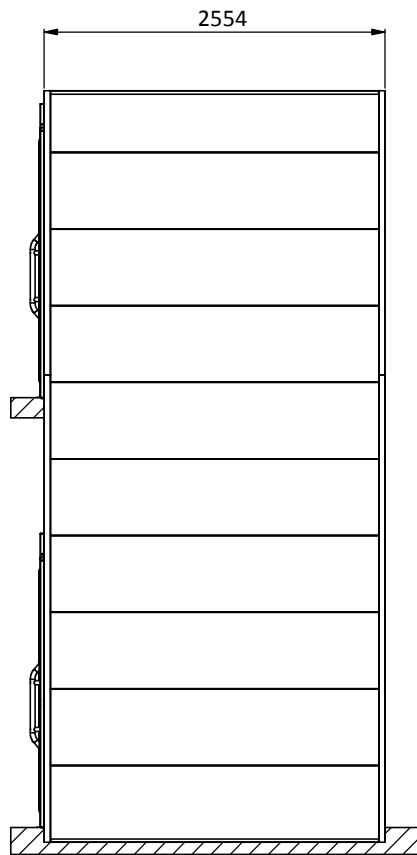
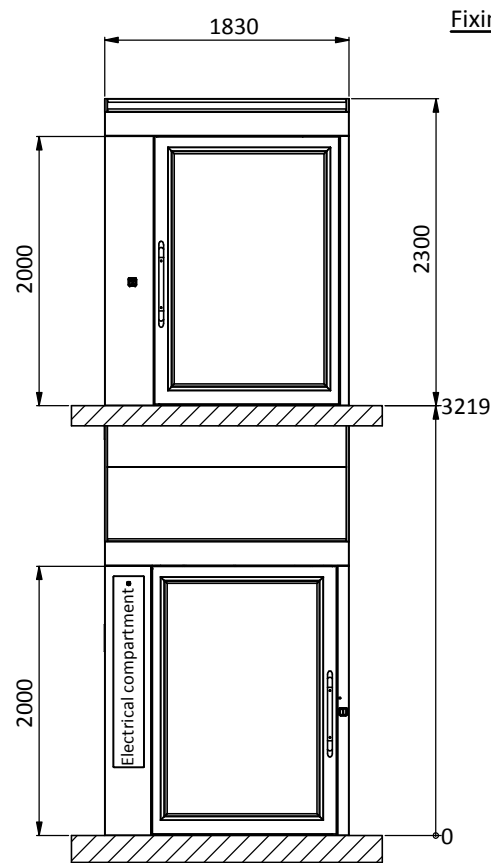


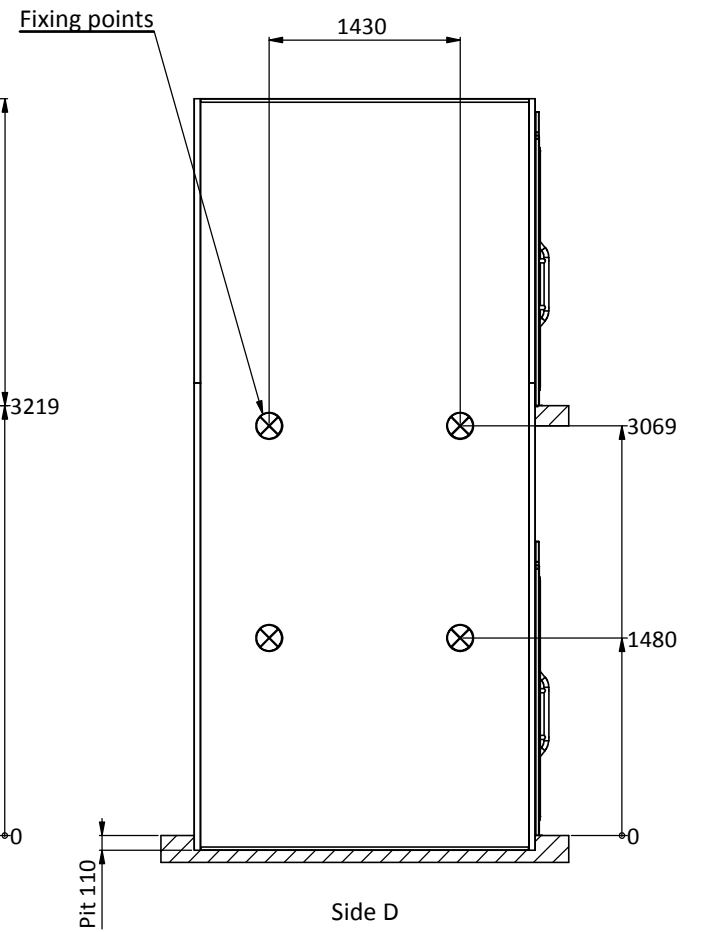
Side C



Side B



Side A



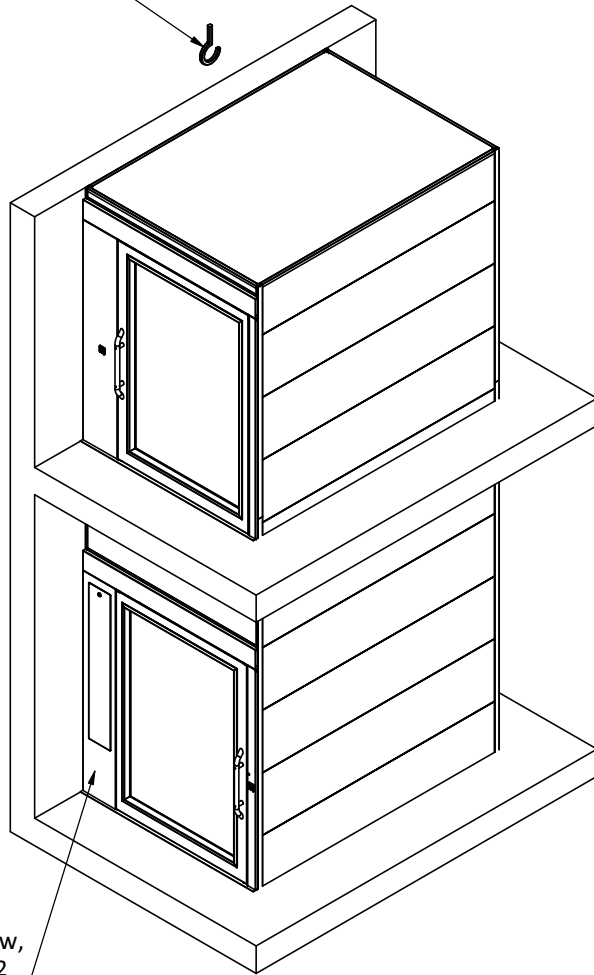
Side D



Product	Drawn	Checked	Date	Customer
ILS 1K	TS	JH	2014-04-10	
Title				
Principal drawing 2 stop 1400x2500				
Innovation Lift Scandinavia AB			Document Number	
Kranvägen 6			Principal 3	
693 33 Degerfors				-Revision
				-00

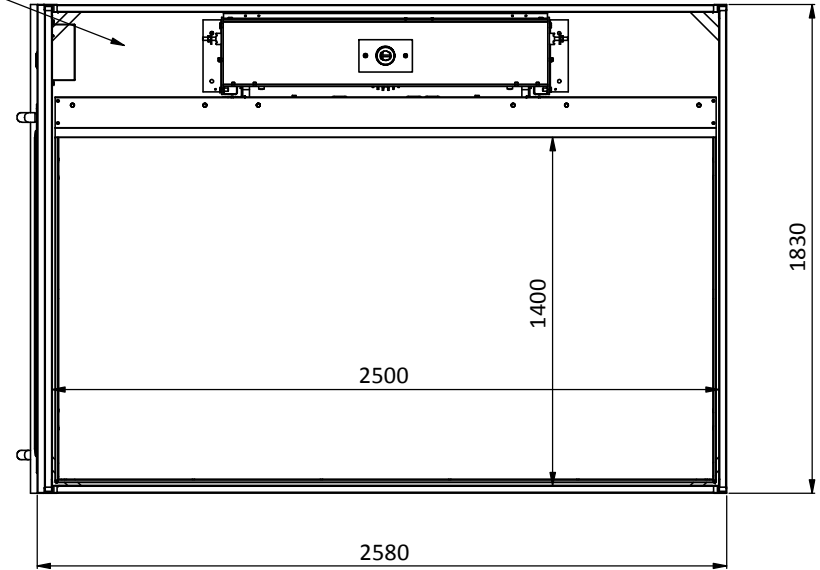
400 V, 3-phase, 16A slow,
Cable Area min 2,5 mm²

Hook in the building ceiling
for 500 kg, by builder

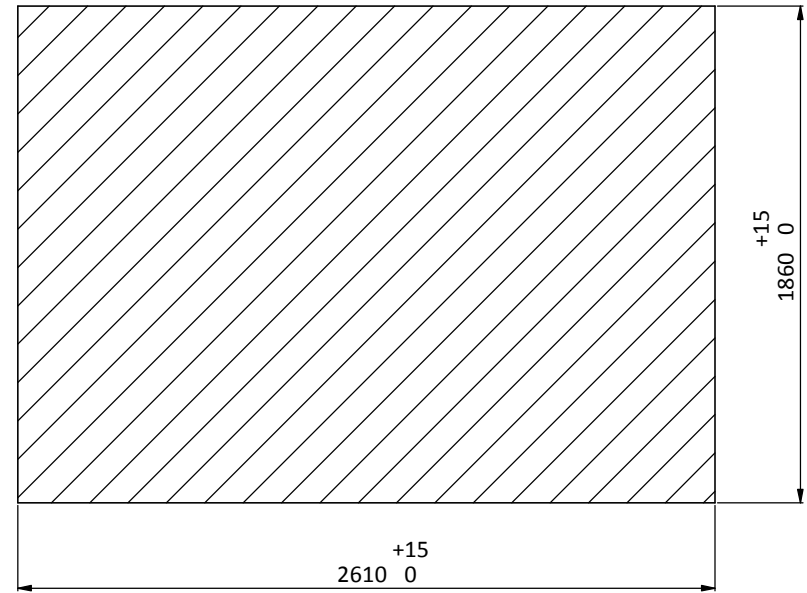



400 V, 3-phase, 16A slow,
Cable Area min 2,5 mm²

Overall dimensions



Cut out sizes



	Product	Drawn	Checked	Date	Customer
	ILS 1K	TS	JH	2014-04-10	
Title					
Principal drawing 2 stop 1400x2500					
Innovation Lift Scandinavia AB Kranvägen 6 693 33 Degerfors				Document Number	-Revision
Principal 3					-00