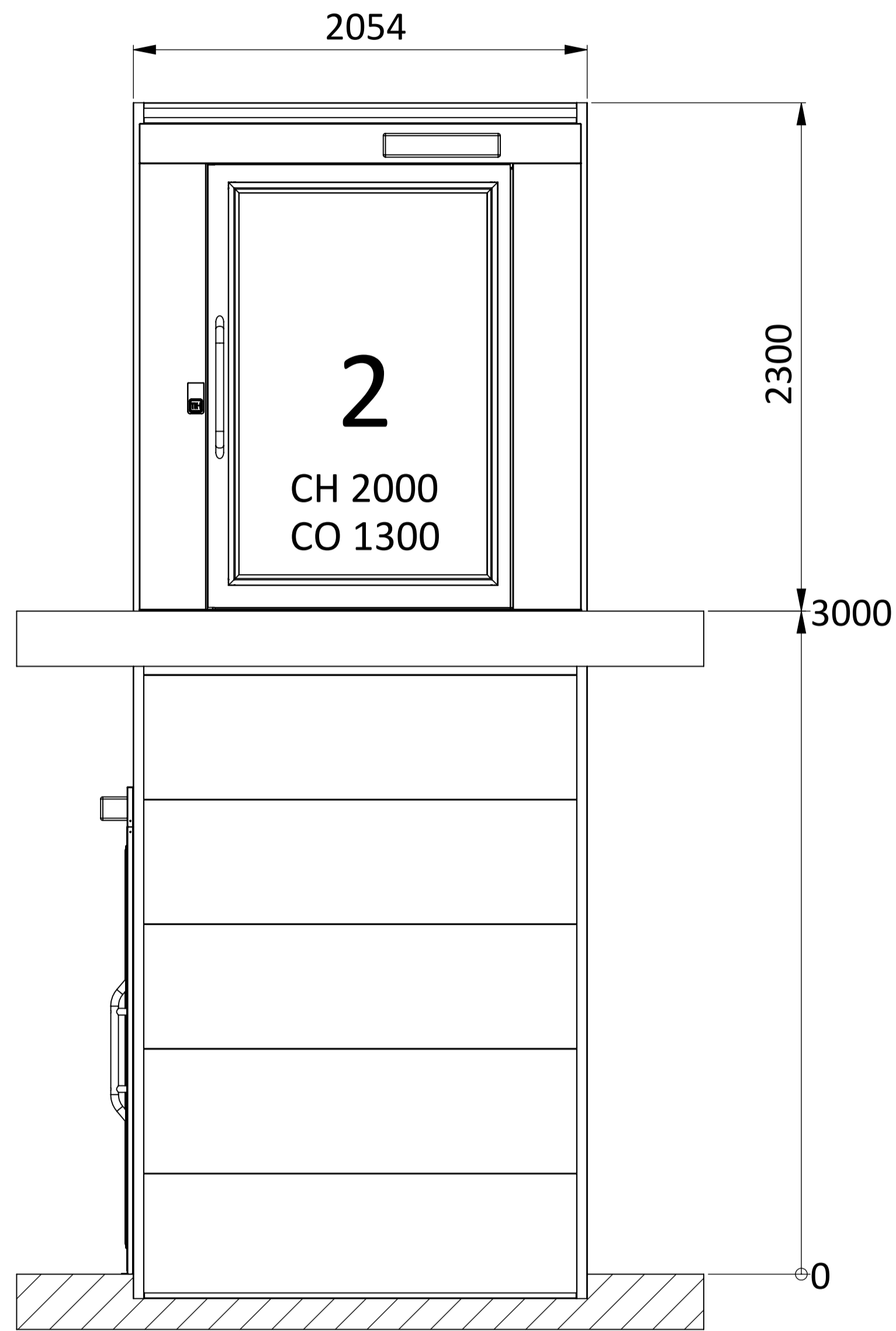
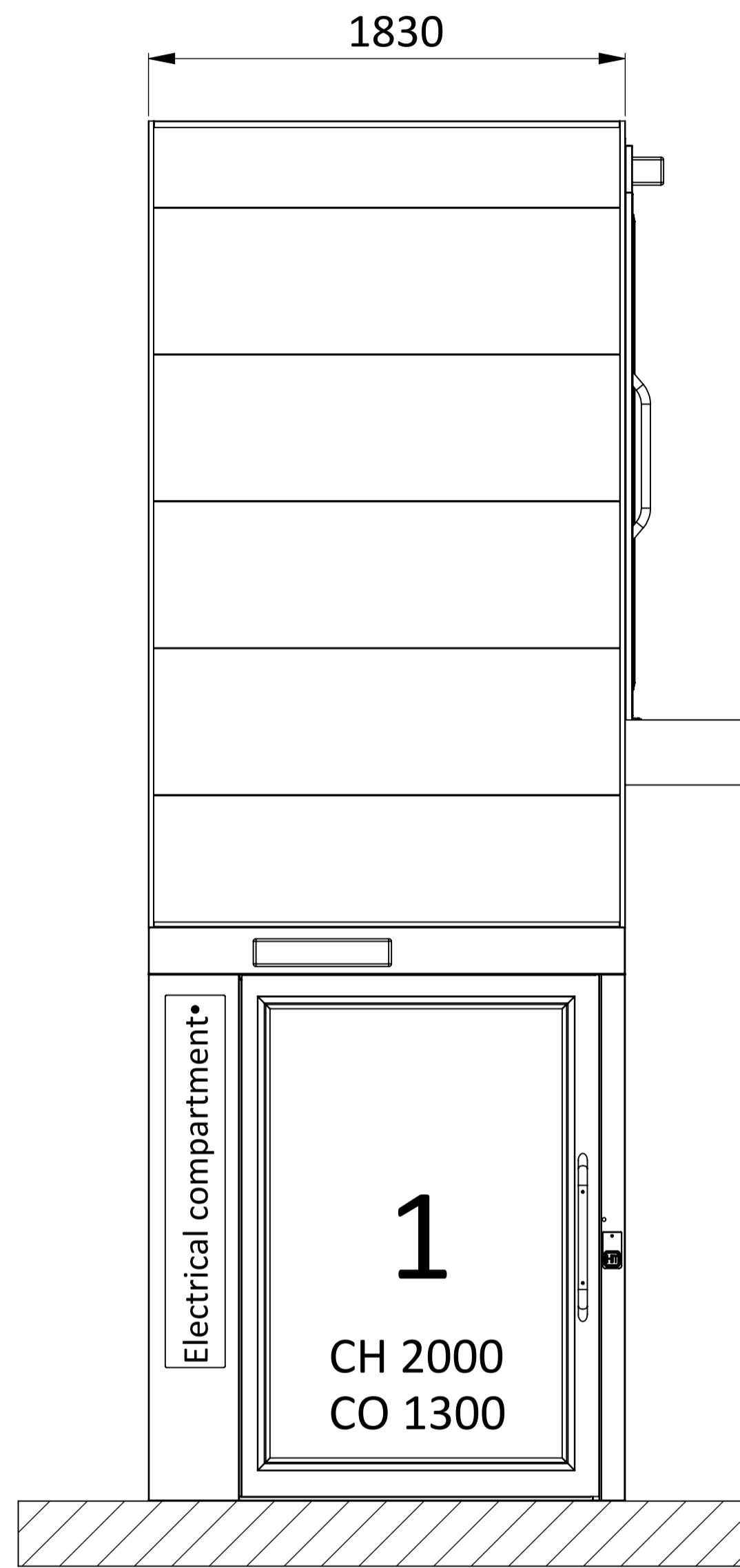


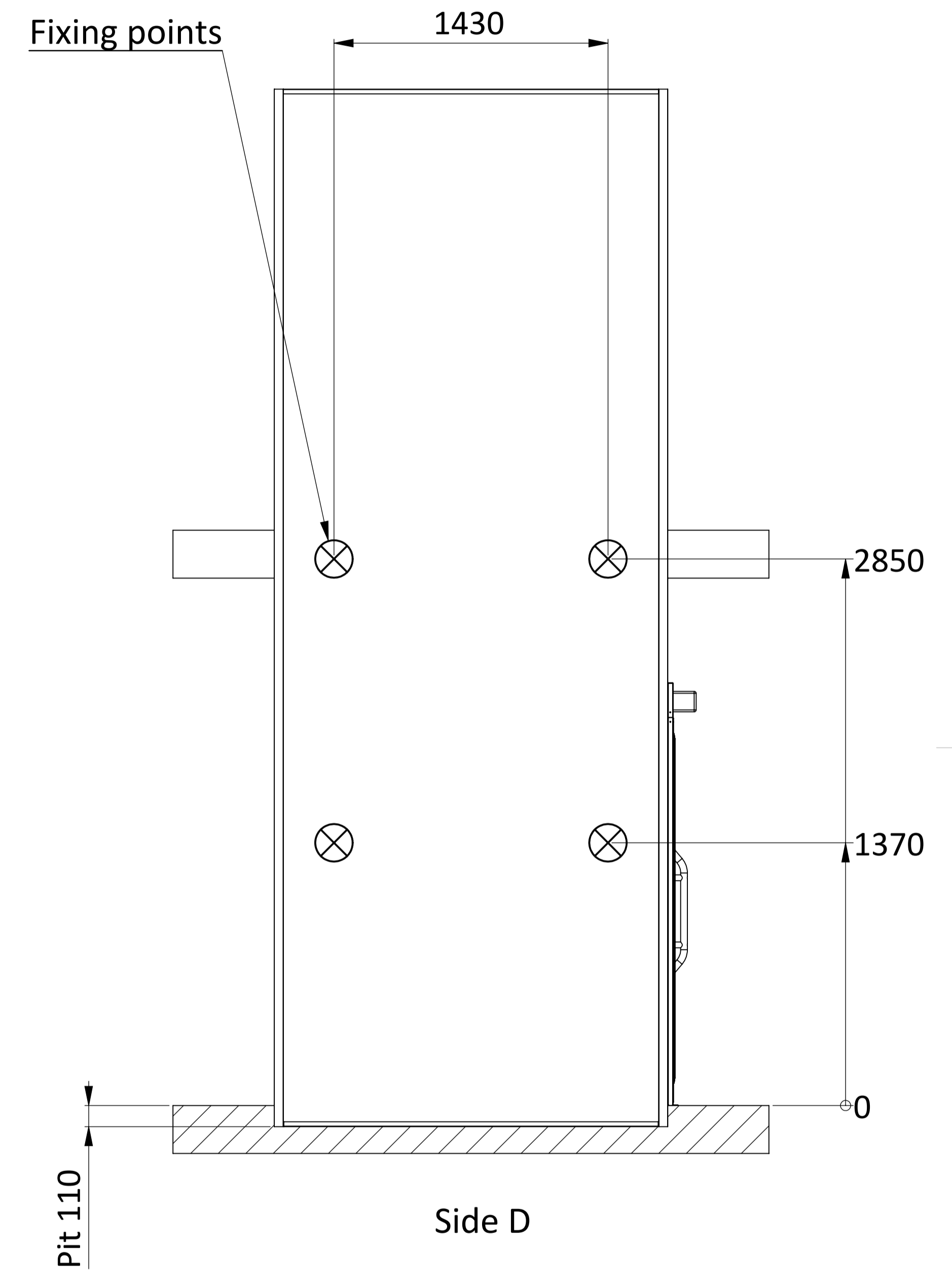
Side C



Side B



Side A

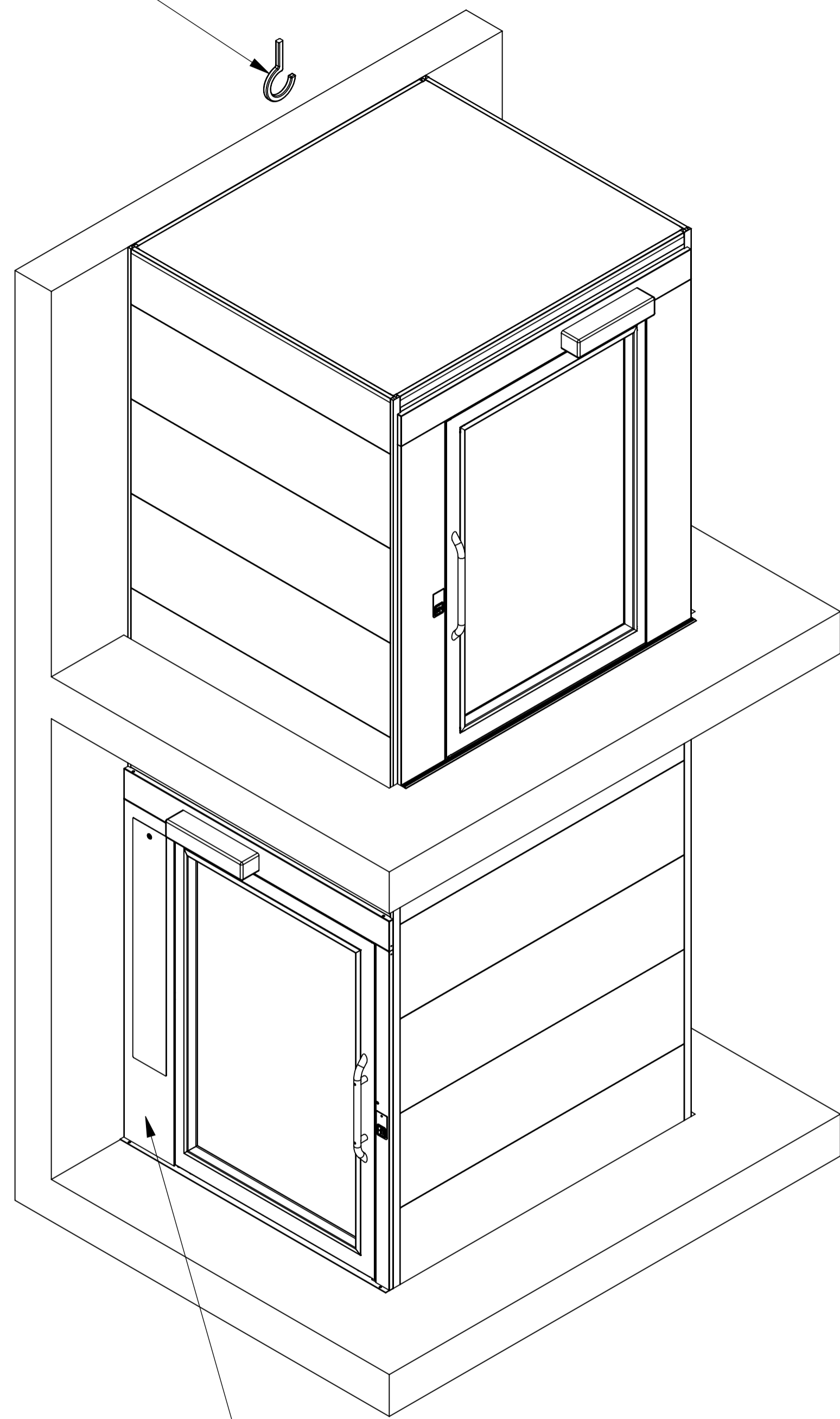


Side D



Product	Drawn	Checked	Date	Customer
ILS 1K	TS	JH	2015-05-29	
Title				-Revision
Principal drawing 1400x2000				
Innovation Lift Scandinavia AB Kranvägen 6 693 33 Degerfors			Document Number	
Principal 13				-00

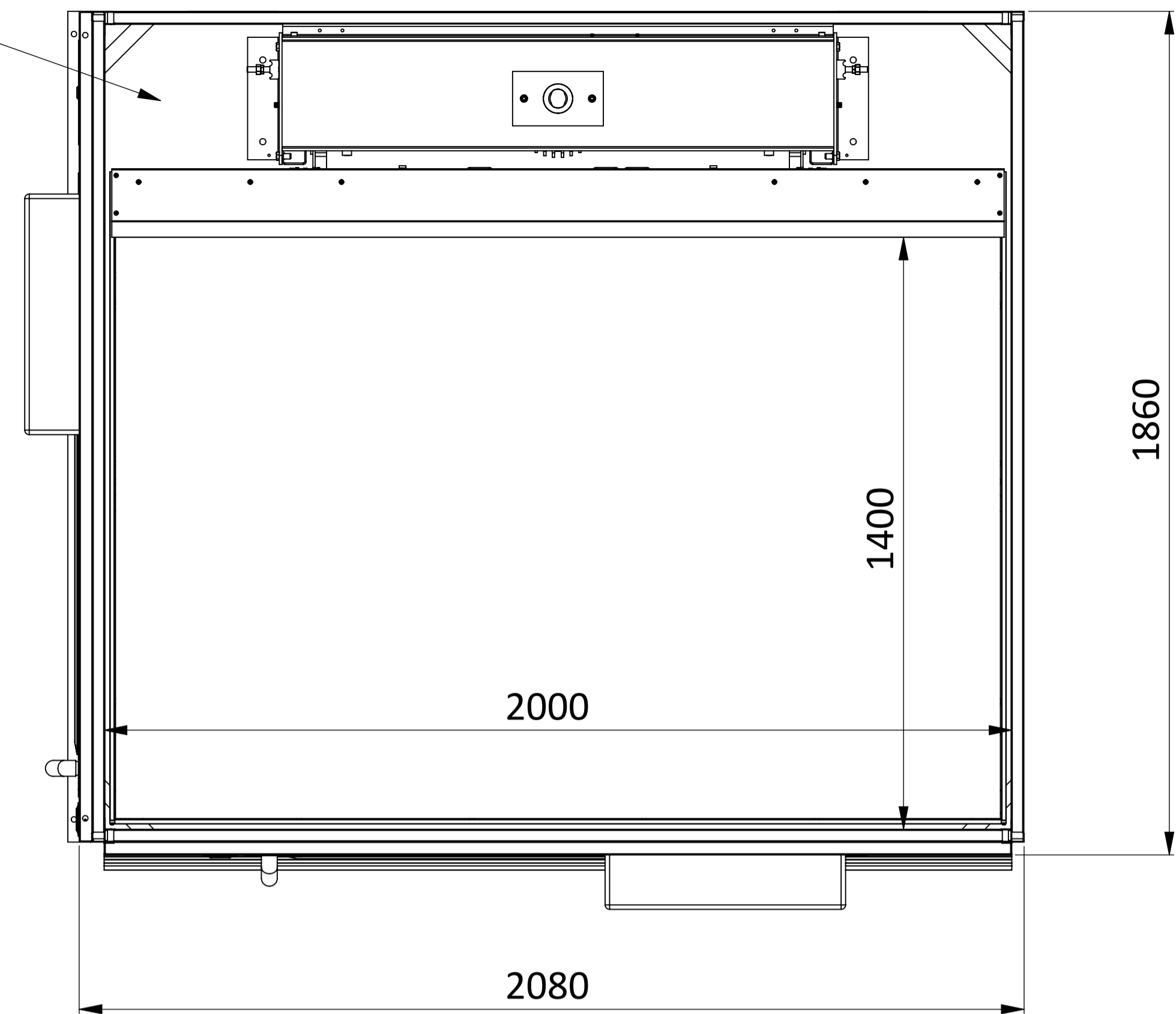
Hook in the building ceiling
for 500 kg, by builder



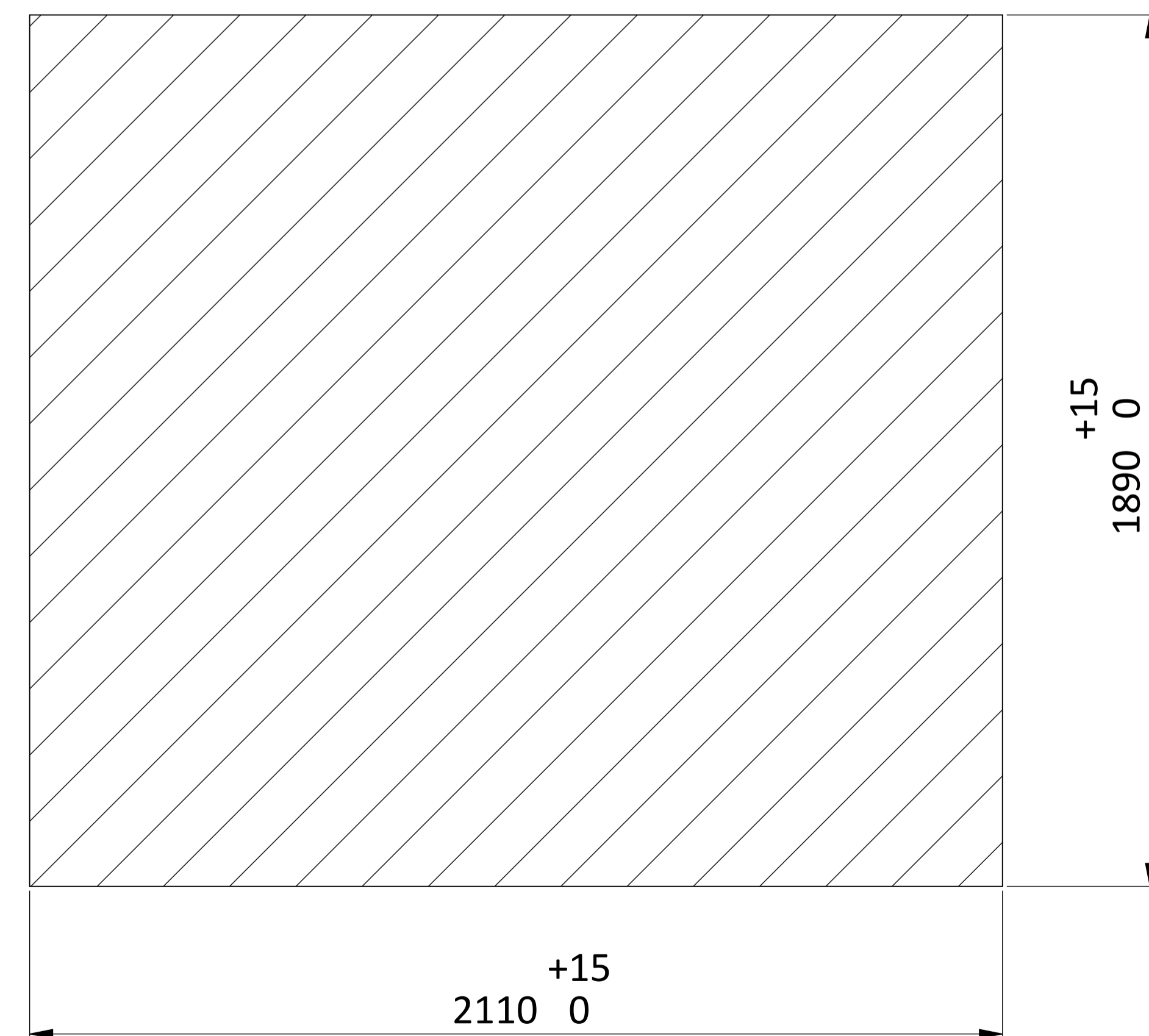
400 V, 3-phase, 16A slow,
Cable Area min 2,5 mm²

400 V, 3-phase, 16A slow,
Cable Area min 2,5 mm²

Overall dimensions



Cut out sizes



Innovation Lift
SCANDINAVIA AB

Product	Drawn	Checked	Date	Customer
ILS 1K	TS	JH	2015-05-29	
Title				-Revision
Principal drawing 1400x2000				-00
Innovation Lift Scandinavia AB Kranvägen 6 693 33 Degerfors			Document Number	
			Principal 13	