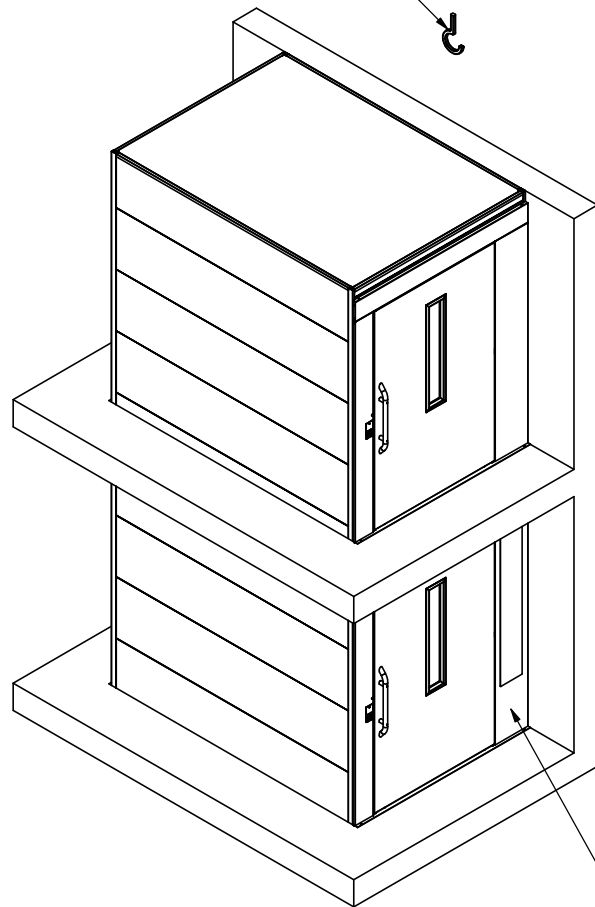
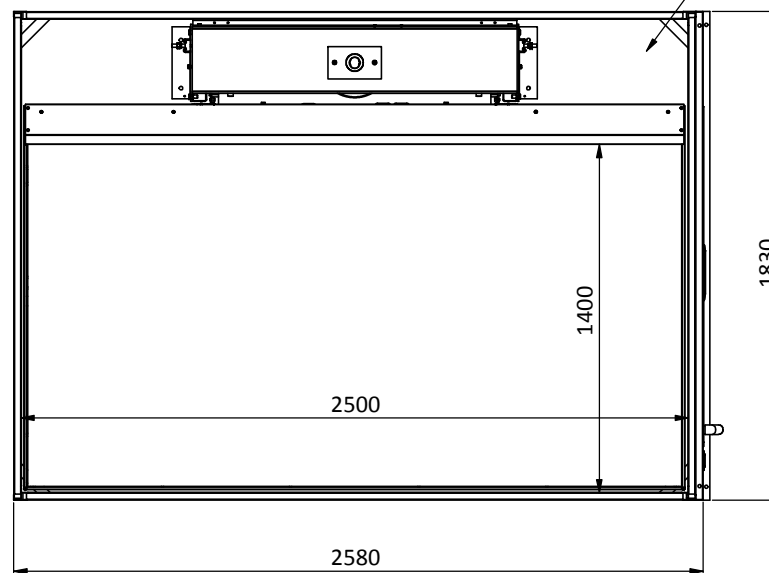
	Product	Drawn	Checked	Date	Customer
	ILS 1K	TS	JH	2014-10-29	
	Title <b>Principal drawing 1400x2500 EI60</b>				
Innovation Lift Scandinavia AB Kranvägen 6 693 33 Degerfors				Document Number <b>Principal 11</b>	-Revision -00

Hook in the building ceiling  
for 500 kg, by builder

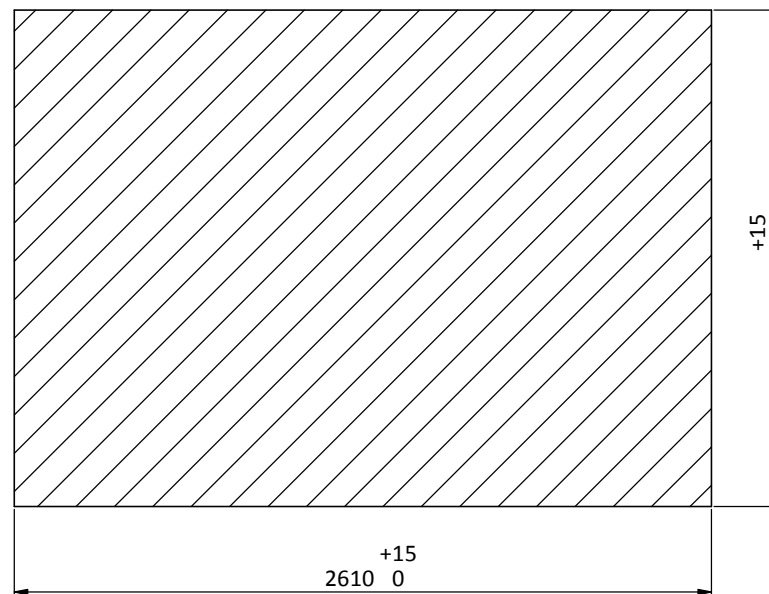



400 V, 3-phase, 16A slow,  
Cable Area min 2,5 mm<sup>2</sup>

Overall dimensions



Cut out sizes



	Product	Drawn	Checked	Date	Customer
	ILS 1K	TS	JH	2014-10-29	
Title <b>Principal drawing 1400x2500 EI60</b>					
Innovation Lift Scandinavia AB Kranvägen 6 693 33 Degerfors				Document Number <b>Principal 11</b>	-Revision <b>-00</b>