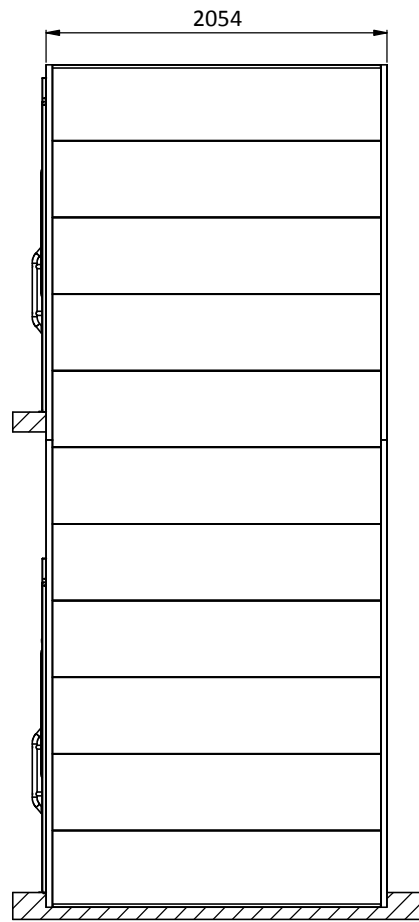
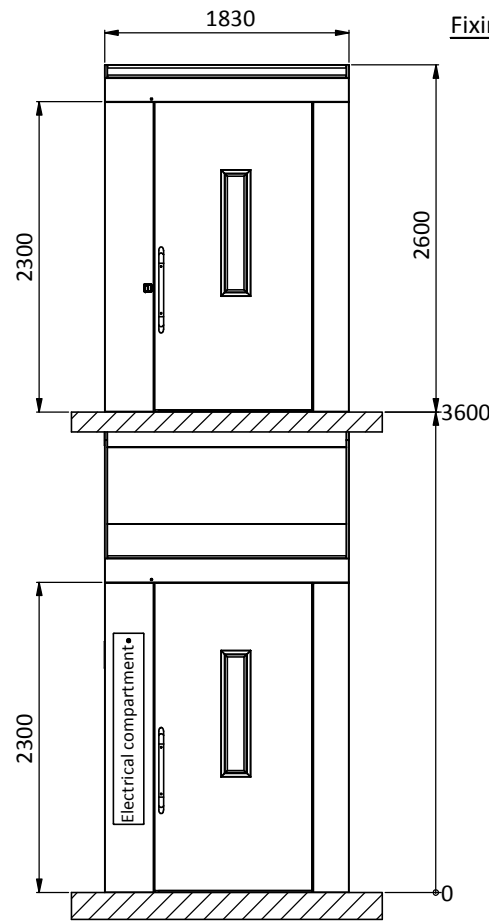


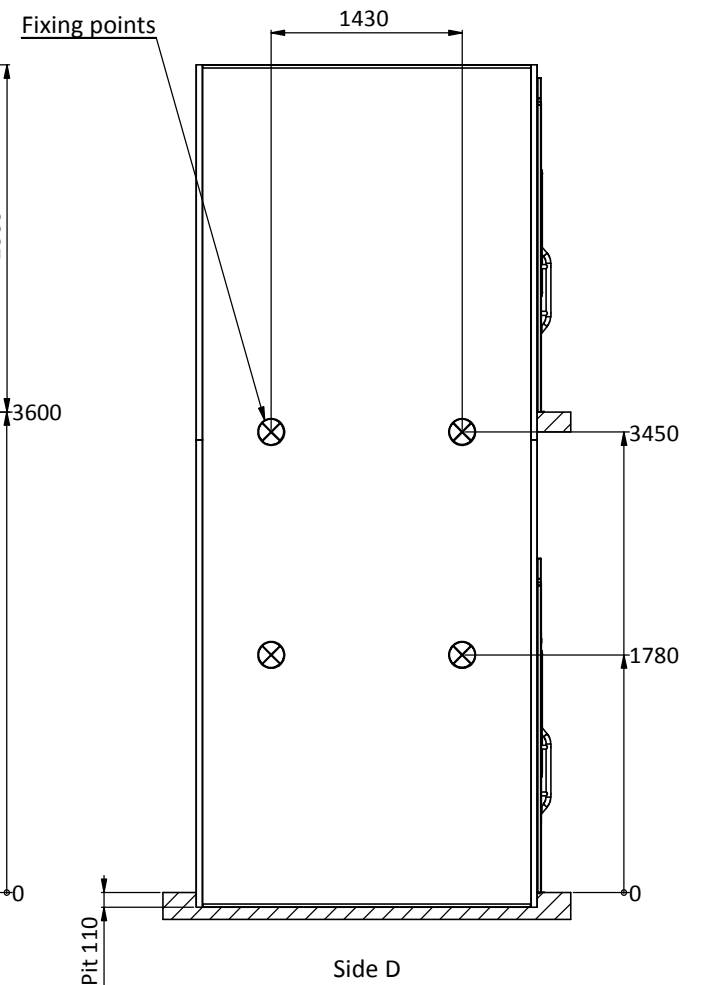
Side C




Side B



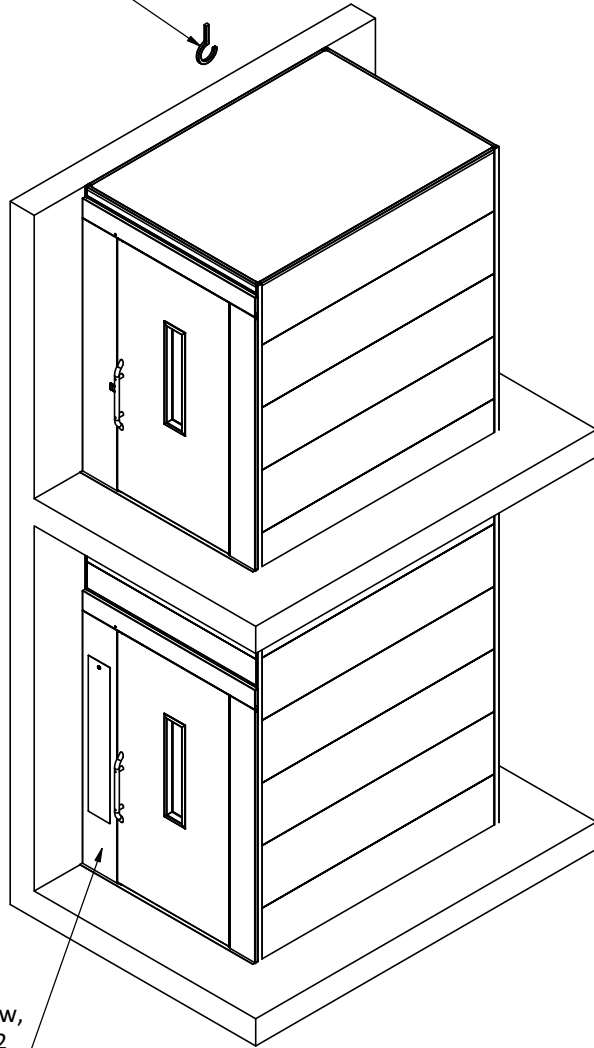
Side A



Side D

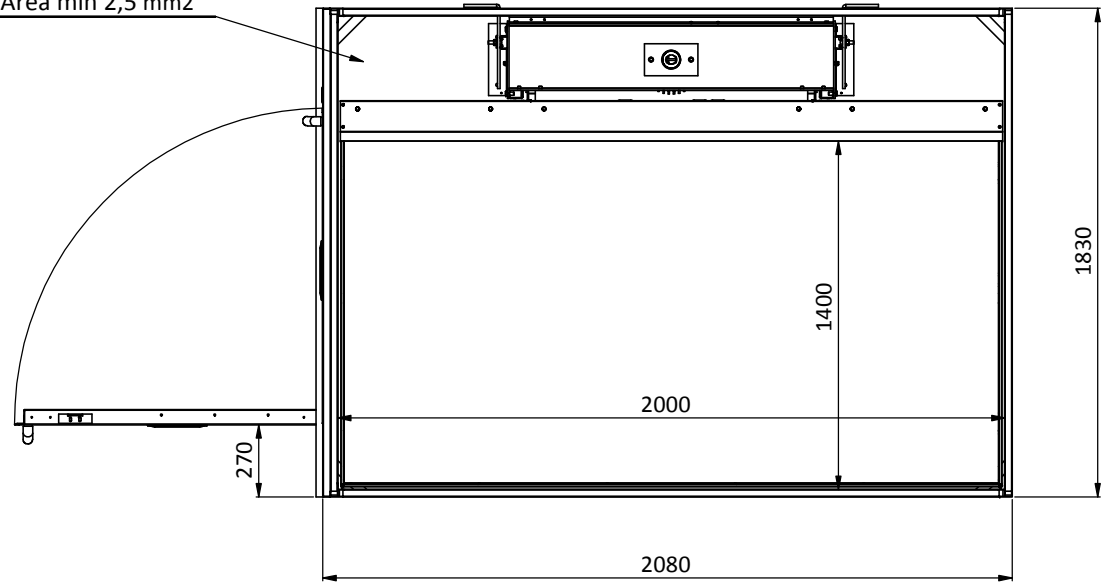
 <b>Innovation Lift SCANDINAVIA AB</b>	Product	Drawn	Checked	Date	Customer
	ILS 1K	TS	LG	2014-03-04	
<b>Principal 2 stop special height doors</b>					
Innovation Lift Scandinavia AB Kranvägen 6 693 33 Degerfors					Document Number <b>Principal 1</b>
					-Revision -03

Hook in the building ceiling  
for 500 kg, by builder

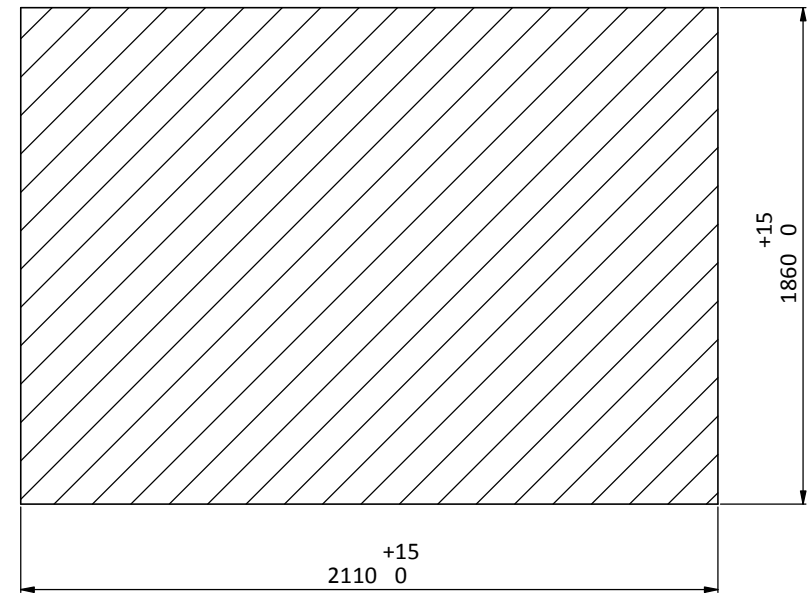


400 V, 3-phase, 16A slow,  
Cable Area min 2,5 mm<sup>2</sup>

400 V, 3-phase, 16A slow,  
Cable Area min 2,5 mm<sup>2</sup>



Cut out sizes



Innovation Lift  
SCANDINAVIA AB

Product	Drawn	Checked	Date	Customer
ILS 1K	TS	LG	2014-03-04	
Title				
Innovation Lift Scandinavia AB Kranvägen 6 693 33 Degerfors				Document Number
Principal 2 stop special height doors				Principal 1
				-Revision -03